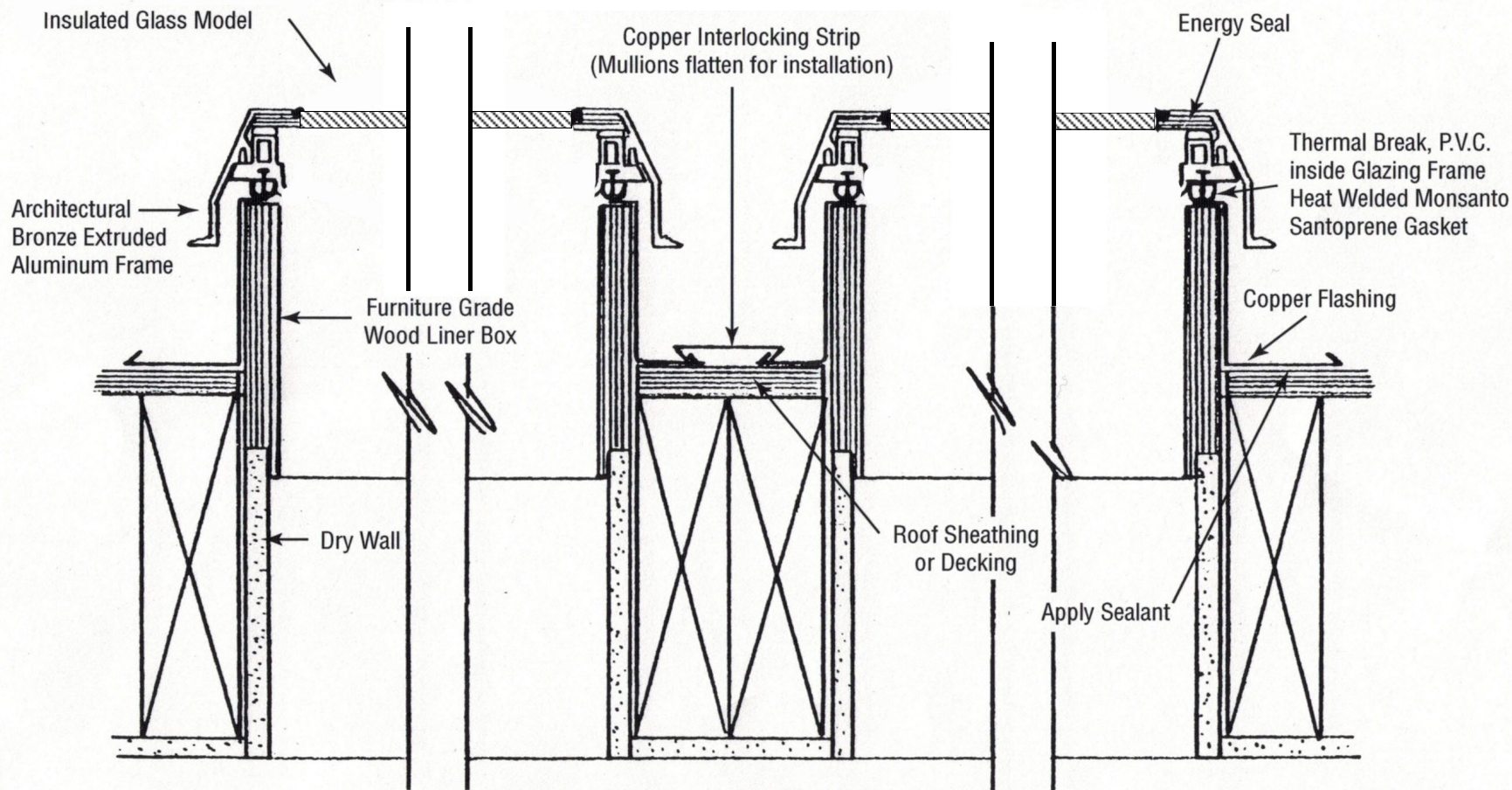


## INTERLOCKING FLASHING SYSTEM FOR MULTIPLE SKYLIGHT GROUPING



**Installer Note:** After installing skylights, Copper Interlock Strip has to be flattened flush to obtain proper seal. Use block of hard wood to close up copper until it is completely flattened. **It is recommended that both interlock seams be soldered closed.**

\*Minimum double rafter spacing between units

**Tel: 631-924-TOPS**

**Fax: 631-924-8600**

**S**kylight  
Specialist